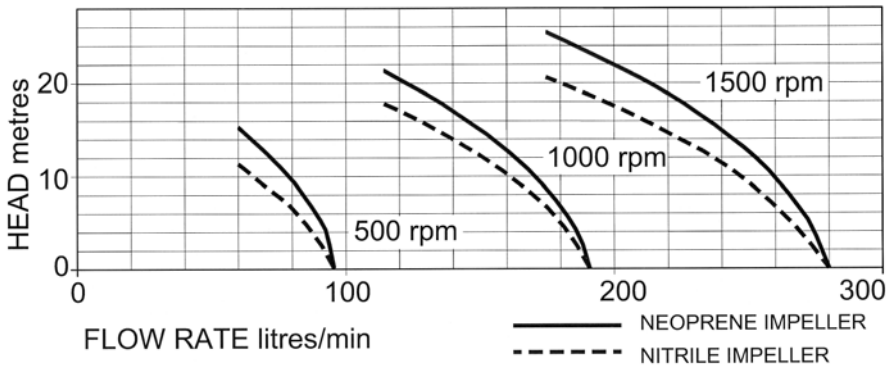


**PERFORMANCE:**

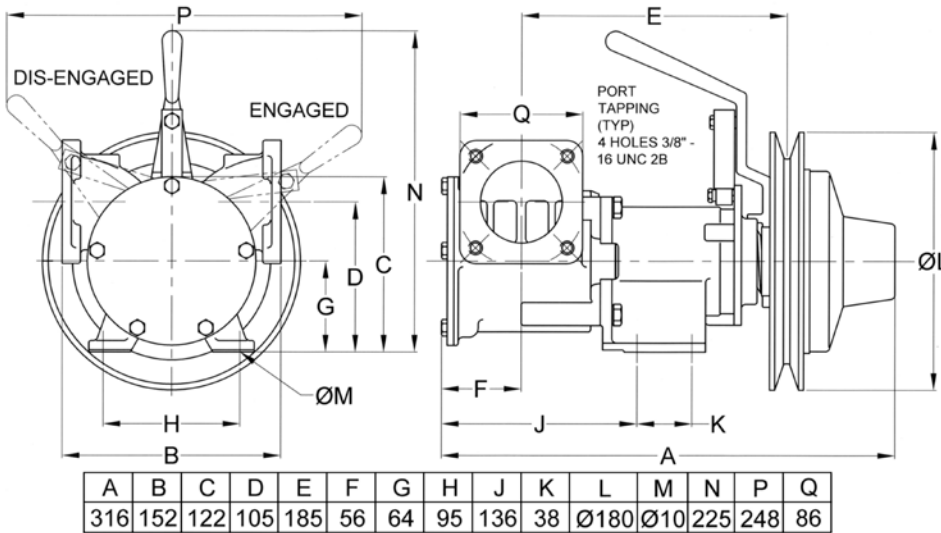


MODEL	Maximum flow rate		Maximum head	
	l/min	gall/min	metres	feet
51270-0011	300	66	25	82
51270-0003	300	66	20	65

Max Power absorbed 1800 watt at 1500rpm

**DIMENSIONS:**

**WEIGHT: 11 Kg**



**MATERIALS OF CONSTRUCTION:**

<b>Body</b>	Bronze
<b>Impeller</b>	Neoprene or oil resistant Nitrile
<b>Wearplate</b>	Replaceable
<b>Shaft</b>	Stainless steel type 316
<b>Shaft seal</b>	Mechanical carbon/ceramic
<b>Bearings</b>	Twin row, ball type
<b>Port type</b>	2" FLANGE
<b>Clutch type</b>	Manual – Self adjusting
<b>Pulley</b>	180mm dia A or B section

**MODELS:**

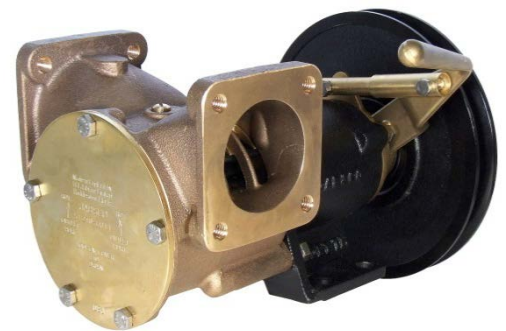
- 51270-0011 Neoprene Impeller
- 51270-0003 Nitrile Impeller



a xylem brand

**BRONZE FLEXIBLE IMPELLER - MANUAL CLUTCH**

**51270 SERIES**



**PUMP with 2" FLANGED PORTS**

- \* Constructed from marine quality bronze and stainless steel
- \* Self-prime from dry up to 2.4m
- \* Easy to service and maintain
- \* Will tolerate abrasive wear
- \* Handles hard and soft solids without clogging
- \* Can pump in either direction
- \* Will not airlock

Xylem Water Solutions UK Ltd  
Bingley Road  
Hoddesdon  
Hertfordshire • EN11 0BU UK

Tel: +44 (0)1462 480380  
Fax: +44 (0)1462 482422  
mail@cleghorn.co.uk  
www.jabscoshop.com

